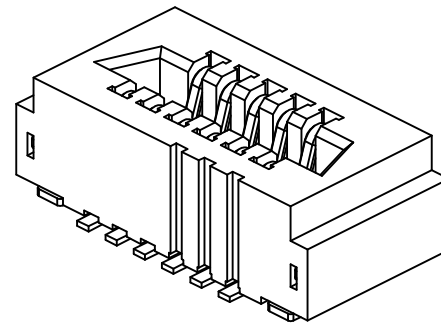


TOP VIEW
RECOMMENDED P.C.B LAYOUT
GENERAL TOLERANCE ±0.05



NOTES:

1. MATERIAL:
 - 1.1 HOUSING: VECTRA LCP, HIGH TEMP, UL94V-0; COLOR:NATURAL
 - 1.2 CONTACT: BERYLLIUM COPPER
2. FINISH:
 - 2.1 CONTACT:
 - 50u"MIN NICKEL UNDERPLATING OVERALL
 - C:15u" GOLD ON CONTACT
 - D:30u" GOLD ON CONTACT
3. SPEC. PLS. REFER TO PS-52001-xxxxx-xxx
4. PACKAGE PLS. REFER 52002-xxxCR-06
5. PART NUMBER

52002-XXX X X-XXX

NO. OF CKT XXX	PACKING	XXX	BOSS
		001	WITH
		002	WITHOUT
7:TAPE&REEL WITH COVER		PLATING	
		C:15u" GOLD ON CONTACT	
		D:30u" GOLD ON CONTACT	

069	33.00	34.00	39.30	35.05
021	9.00	10.00	15.30	11.05
011	4.00	5.00	10.30	6.05
CKT	DIM A	DIM B	DIM C	DIM D

QUALITY SYMBOLS MAJOR Ⓢ CRITICAL Ⓢ	DRAWN BY TSO I CHIAO	DATE 23/11/16	ACES ELECTRONICS		
	CHECKED BY Chen, Chun Yuan	DATE 23/11/16			TITLE 1.0mm pitch BTB Rcpt.Conn.SMT D/R S/T Type
GENERAL TOLERANCES (UNLESS SPECIFIED) X. ±0.5 .X ±0.25 .XX ±0.15 .XXX ±0.1 ANGLES ±2°	APPROVED BY Huang Kuo Hua	DATE 23/11/16	UNITS mm	SIZE A4	RFC NO. RFQ-2201034
			SCALE 1 : 1	SHEET NO. 1 OF 1	REV C
					DWG NO. 52002-xxxxx-xxx